



**JÄGER**

Umwelt-Technik

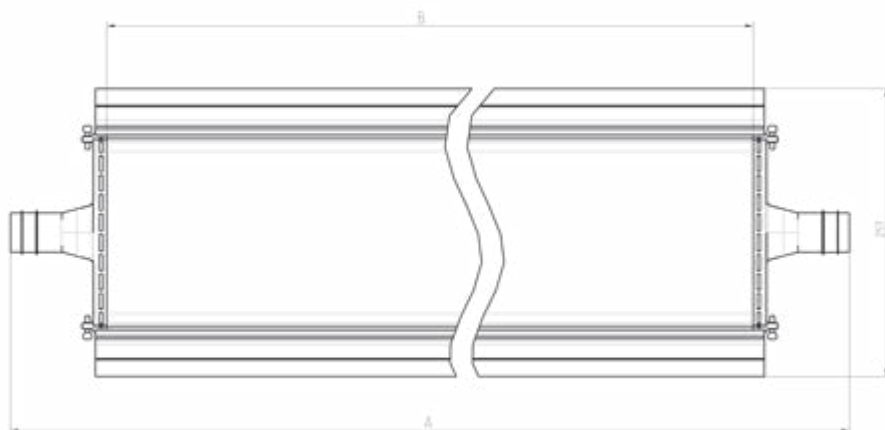
DATA SHEET

# JETFLEX<sup>®</sup> SSD

Smart Strip Diffuser

## DIMENSIONS

	A [mm]	B [mm]	Air feed [mm]	Height [mm]	Weight [kg]	Active area [m <sup>2</sup> ]	Airflow rate [m <sup>3</sup> /h]
<b>SSD 1500</b>	1680	1500	32	50	4,5	0,24	1,5 – 20
<b>SSD 2000</b>	2180	2000	32	50	6	0,32	2 – 26
<b>SSD 2500</b>	2680	2500	32	50	7,5	0,4	2,5 – 32
<b>SSD 3000</b>	3180	3000	32	50	9	0,48	3 – 38
<b>SSD 3500</b>	3680	3500	32	50	10,5	0,56	3,5 – 46
<b>SSD 4000</b>	4180	4000	32	50	12	0,64	4 – 52



### MATERIALIEN

**Membrane**  
Polyurethane

**Base profile**  
PVC regranulate

**Air feed**  
Polyurethane

### OPERATING CONDITIONS

**Water temperature**  
< 35 °C

**Air temperature**  
< 60 °C

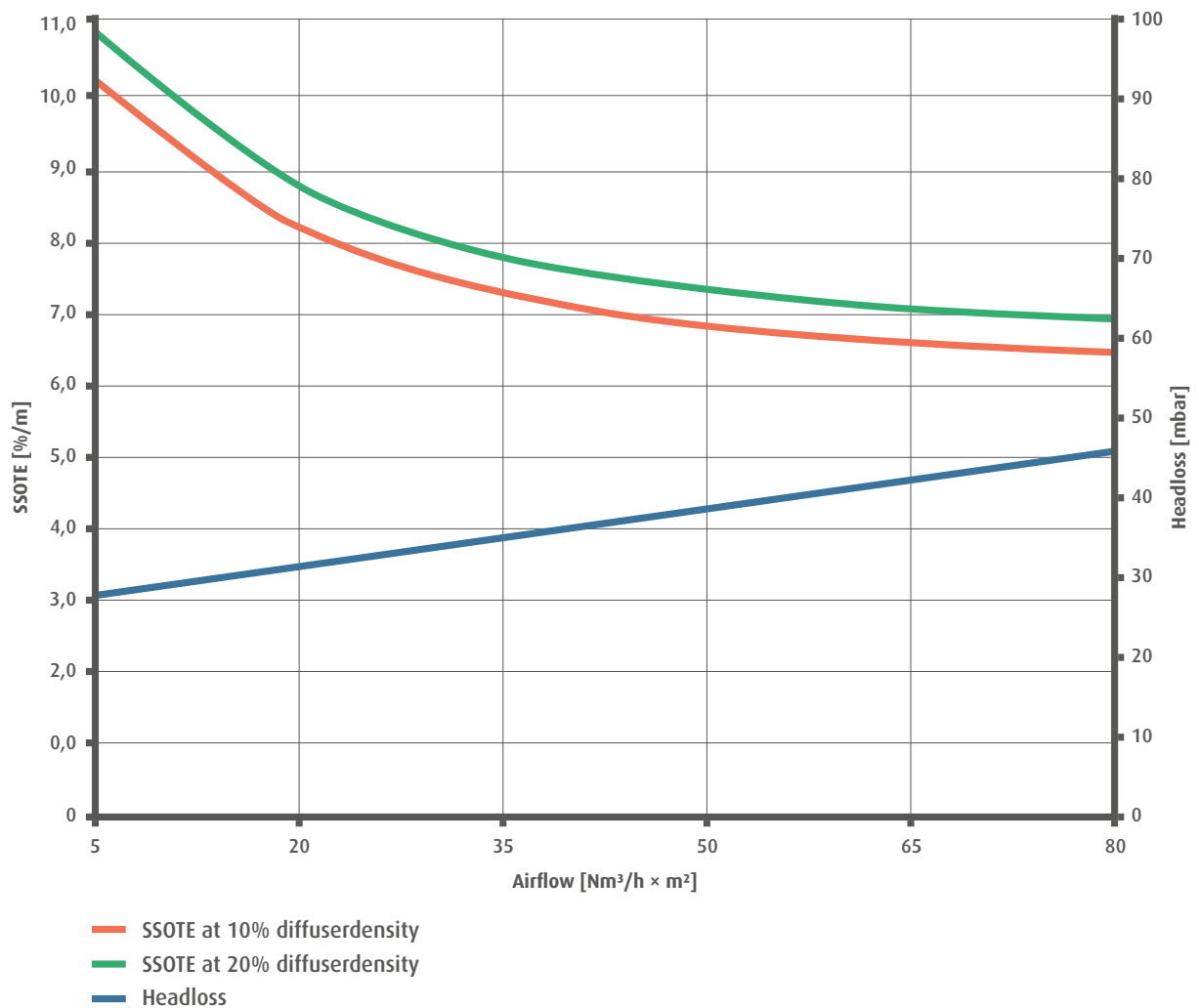
**Max. pressure loss**  
105 mbar

### ACCESSORIES

Stainless steel clamp



## PERFORMANCE DATA



JETFLEX<sup>®</sup> SSD

# CONTACT



Tel + 49 511 - 646 44 0  
Fax + 49 511 - 646 44 499

[info@jaeger-envirotech.com](mailto:info@jaeger-envirotech.com)

[www.jaeger-envirotech.com](http://www.jaeger-envirotech.com)

Jäger Umwelt-Technik GmbH  
Lohweg 1  
30559 Hanover  
Germany

**Disclaimer**

We exclude any liability for the information and product presentations provided. Contents of technical character are based on the date of publication. Existing copyrights and rights to the use of names remain unaffected.

Background graphic: Adobe Stock