

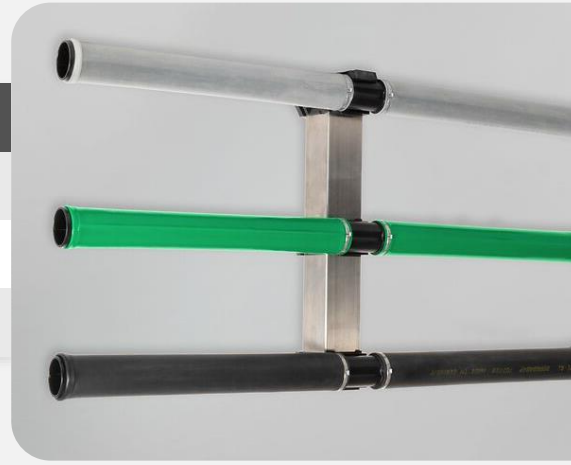


JETFLEX[®] DTD 65 DOUBLE TUBE DIFFUSER

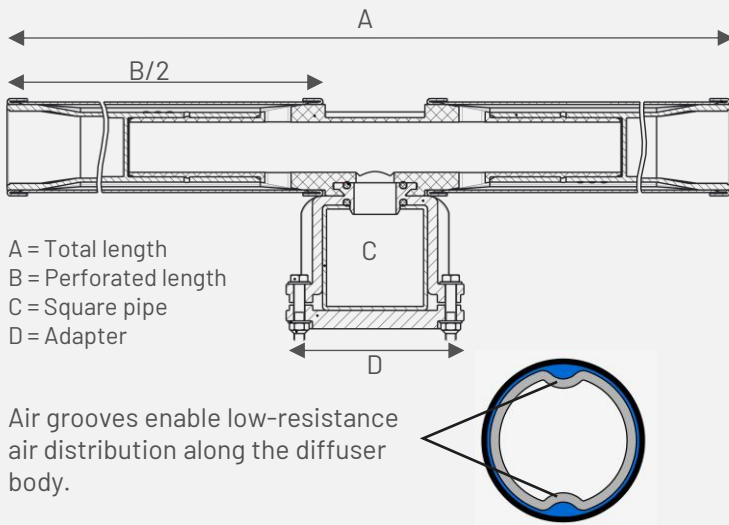
JetFlex® DTD 65 Double Tube Diffuser

Dimensions

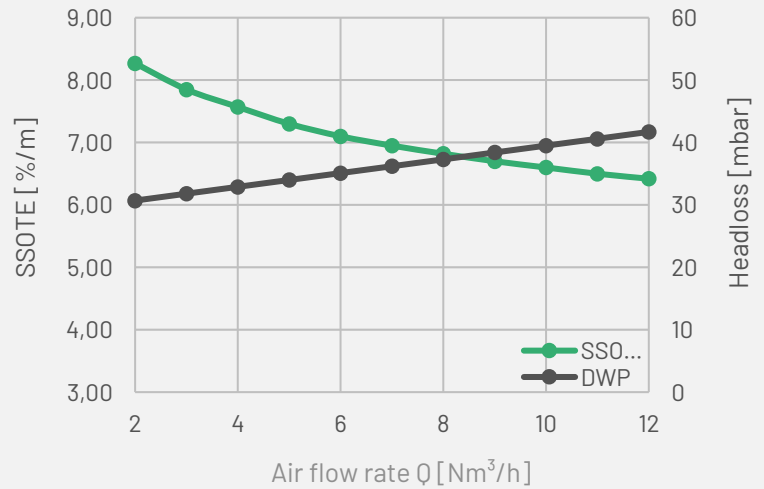
Material	Tube diameter	ID-Sleeve	Wall thickness
EPDM	63 mm	64 - 66 mm	1.9 ± 0.15 mm
Silicone	63 mm	64 - 66 mm	1.5 ± 0.15 mm
PUR	63 mm	64 - 66 mm	0.6 ± 0.1 mm



Installation drawing



SSOTE and headloss for EPDM 1000 mm



Perforated length	Total length	Perforated area		Air flow rate at standard operating conditions	Air flow rate at max. overload/maintenance	Operating mode
		EPDM + PUR	SI			
2000 mm	2160 mm	0.36 m ²	0.32 m ²	4 - 24 Nm ³ /h	40 Nm ³ /h	continuous / intermittent
1500 mm	1660 mm	0.27 m ²	0.24 m ²	3 - 18 Nm ³ /h	30 Nm ³ /h	continuous / intermittent
1000 mm	1160 mm	0.18 m ²	0.18 m ²	2 - 12 Nm ³ /h	20 Nm ³ /h	continuous / intermittent

Dimensions for connection to square tube

Outer diameter	Material	Drilling diameter
80 x 80 mm	SS	38 +1 mm

Dimensions for connection to round tube

Outer diameter	Material	Nominal diameter	Drilling diameter
110 mm	PVC	100 mm	38 +1 mm

For further details, please refer to our installation and operating instructions.

JetFlex® DTD 65 Double Tube Diffuser

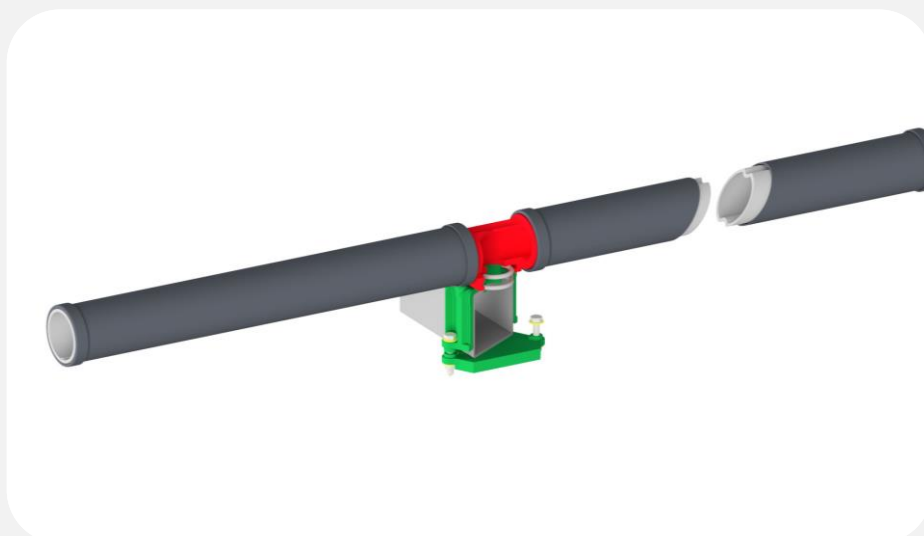
Material - Membrane

	Norm	EPDM F053A	PUR	Norm	Silicone
Color		black	transparent		translucent
Plasticiser (%)		35	0		0
Density (g/cm³)	DIN EN ISO 1183-1	1.11	1.11	DIN EN ISO 1183-1	1.16
Tensile strength (N/mm²)	DIN 53504	>8.5	>45	DIN 53504	>9
Elongation at break (%)	DIN 53504	>550	>650	DIN 53504	>900
Tear strength (N/mm)	DIN EN ISO 34-1	>10	>55	ASTM D 624 B	>38
Hardness (Shore A)	DIN ISO 7619-1	43 ± 5	80 ± 5	DIN 53505	60 ± 5
Operating temperature air (°C)		5 - 80	5 - 80		5 - 100
Operating temperature water (°C)		5 - 40	5 - 40		5 - 40

Other materials

Supporting body	Stainless steel	Clamp screw connection
PP / PP 20% GF	1.4301	1.4301

Accessories



Floor bracket and end plug

For further information, please refer to our accessories catalogue.



Jäger Umwelt-Technik GmbH
Lohweg 1. 30559 Hanover. Germany
+49 511 646 440

info@jaeger-envirotech.com

www.jaeger-envirotech.com

Disclaimer

We exclude any liability for the information and product presentations provided. For contents of a technical nature, these are based on the status of their publication. Existing copyrights and rights to names remain unaffected.