



JETFLEX[®] HD 270 DISC DIFFUSER

JetFlex® HD 270 Disc diffuser

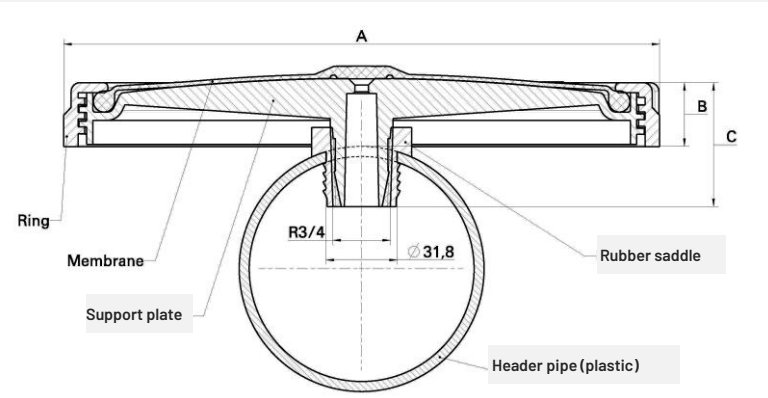
Dimensions

Diameter total/effective [A]	Height from top of pipe to membrane [B]	Total height [C]	Orifice	Thread
268/218 mm	30 mm	60 mm	8 mm	R 3/4"

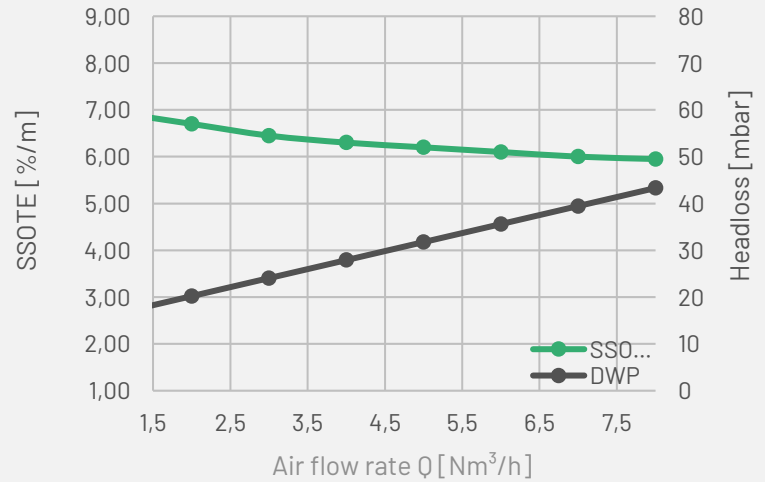


Installation drawing (Example with rubber saddle)

A = 268 mm B = 30 mm C = 60 mm



SSOTE and headloss for HD 270 F053A



Perforated area	Air flow rate at standard operating conditions	Air flow rate at max. overload/maintenance	Operating mode
0.037 m ²	1.5 - 8 Nm ³ /h	10 Nm ³ /h	continuous / intermittent

Connectors to plastic header pipe

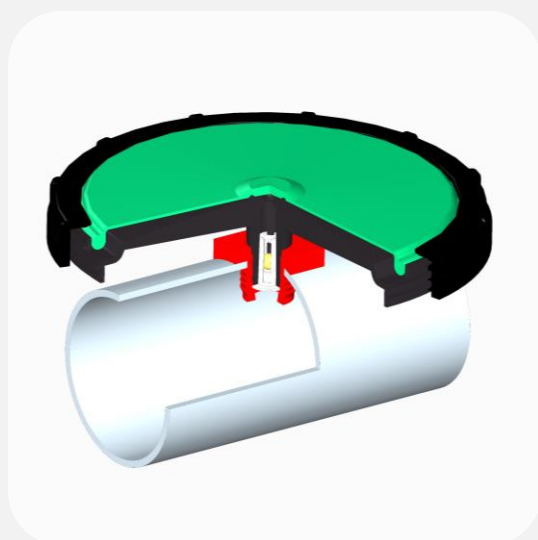
	Colour	Permitted wall thickness of header pipe	Diameter of straight - drill hole	Material
Rubber saddle	black	4 - 8 mm	32 +0/-0.5 mm	EPDM 75 ± 5 Shore A
PVC saddle 90 / 110 mm	transparent	2 mm	36 ± 0.5 mm	Soft PVC
Clamp adapter 90 / 110 / 114.3 mm	black	2 mm	multiple	PP 20 % GF / SI / VA

Membrane materials

	Norm	EPDM F053A	EPDM F057A	Norm	Silicone
Color		black	black		green
Plasticiser (%)		28	9		0
Density (g/cm³)	DIN EN ISO 1183-1	1.07	1.06	DIN EN ISO 1183-1	1.13
Tensile strength (N/mm²)	DIN 53504	>10	>8	DIN 53504	>10
Elongation at break (%)	DIN 53504	>450	>300	DIN 53504	>610
Tear strength (N/mm)	DIN EN ISO 34-1 (Method A)	>6	>3	ASTM D624B	>51
Hardness (Shore A)	DIN ISO 7619	52 ± 5	60 ± 5	DIN 53505	60 ± 5
Operating temperature air (°C)		5 - 80	5 - 80		5 - 100
Operating temperature water (°C)		5 - 40	5 - 40		5 - 40

Other materials

Supporting body	Colour
PP 30% GF	black



Rubber saddle



Check valve



PVC saddles



Clamp adapter with internal thread



Clamp adapter without thread



Jäger Umwelt-Technik GmbH
Lohweg 1. 30559 Hanover. Germany
+49 511 646 440

info@jaeger-envirotech.com
www.jaeger-envirotech.com

Disclaimer

We exclude any liability for the information and product presentations provided. For contents of a technical nature, these are based on the status of their publication. Existing copyrights and rights to names remain unaffected.