



JÄGER

Umwelt-Technik



DATA SHEET

JETFLEX[®] HD 340 DISC DIFFUSER

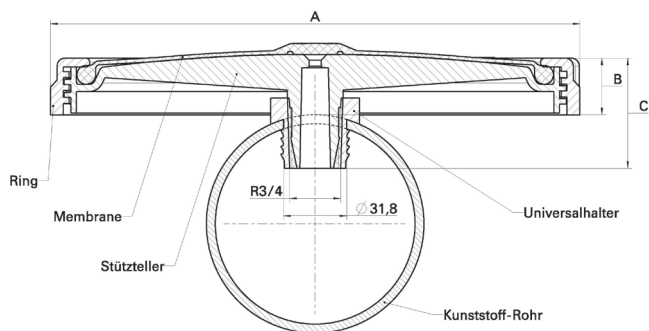
JETFLEX[®] HD 340 DISC DIFFUSER

Dimensions

Diameter total/ effective [A]	Overall height embrane top of tube [B]	Total height [C]	Orifice	Thread
346/295 mm	46 mm	76 mm	10 mm	R 3/4" +1"

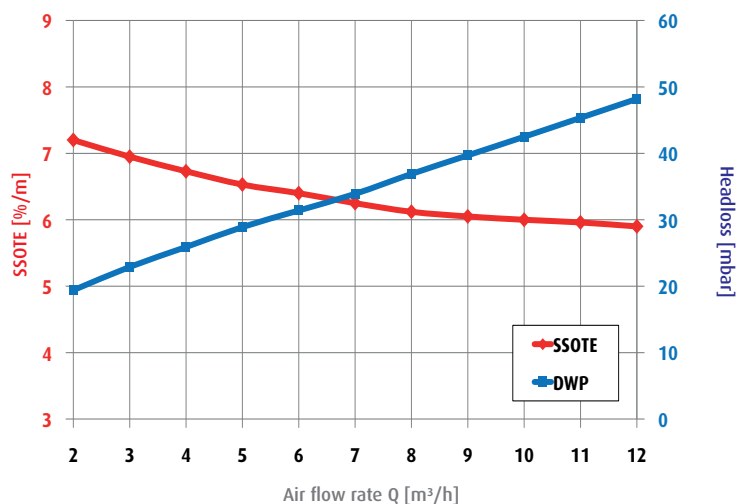


Installation drawing



A = 346 mm
B = 46 mm
C = 76 mm

SSOTE and headloss for HD 340 F053



Perforated area	Air flow rate at standard operating conditions	Max. overload / maintenance air flow rate	Operating mode
0,060 m ²	2 - 12 Nm ³ /h	15 Nm ³ /h	continuous / intermittent

Connectors to plastic header pipe

	Colour	Permitted wall thickness of header tube	Diameter of straight-drill hole	Material
Rubber saddle	black	4 - 8 mm	32 +0/-0,5 mm	EPDM 75 ± 5 Shore A
PVC saddle 90 + 110 mm	grey/white	2 mm	36 ± 0,5 mm	Hard PVC
Clamp adapter 90 + 110 + 114,3 mm	black	2 mm	multiple	PP 20 % GF / SI / VA

For further details, please refer to our installation and operating instructions.

JETFLEX[®] HD 340 DISC DIFFUSER

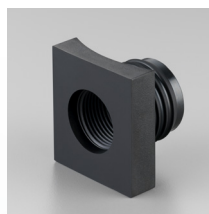
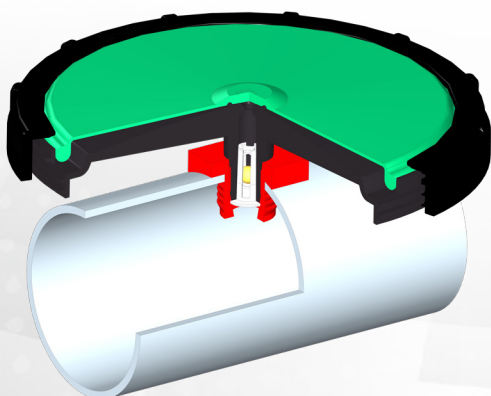
Membrane materials

Material	Techn. standard	EPDM F053A	EPDM F057A	Techn. standard	Silicone
Colour		black	black		green
Plasticiser (%)		28	9		0
Density (g/cm ³)	DIN EN ISO 1183-1	1,07	1,06	DIN EN ISO 1183-1	1,17
Tensile strength (N/mm ²)	DIN 53504	>10	>8	DIN 53504	>10
Elongation at break (%)	DIN 53504	>450	>300	DIN 53504	>610
Tear strength (N/mm)	DIN EN ISO 34-1 (Methode A)	>6	>3	ASTM D624B	>51
Hardness (Shore A)	DIN ISO 7619	52 ± 5	60 ± 5	DIN 53505	60 ± 5
Operating temperature air (°C)		5 - 80	5 - 80		5 - 100
Operating temperature water (°C)		5 - 40	5 - 40		5 - 40

Support plates

Material	Colour
PP 30% GF	black

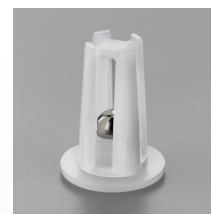
Accessories



Rubber saddles



PVC saddles



Check valve



Clamp adapters with internal thread



Clamp adapters without thread

For further information, please refer to our Accessories catalogue.

JETFLEX[®] HD 340 DISC DIFFUSER

CONTACT

Tel +49 511 – 64644 0

Fax +49 511 – 64644 499

www.jaeger-envirotech.com

info@jaeger-envirotech.com



Jäger Umwelt-Technik GmbH

Lohweg 1

30559 Hannover

Disclaimer

We exclude any liability for the information and product presentations provided. For contents of a technical nature, these are based on the status of their publication. Existing copyrights and rights to names remain unaffected.

Grafic, Photos: ©Adobe Stock, Jäger data base