



JÄGER
Umwelt-Technik



JETFLEX[®] TD 65-2 TUBE DIFFUSER

Data sheet

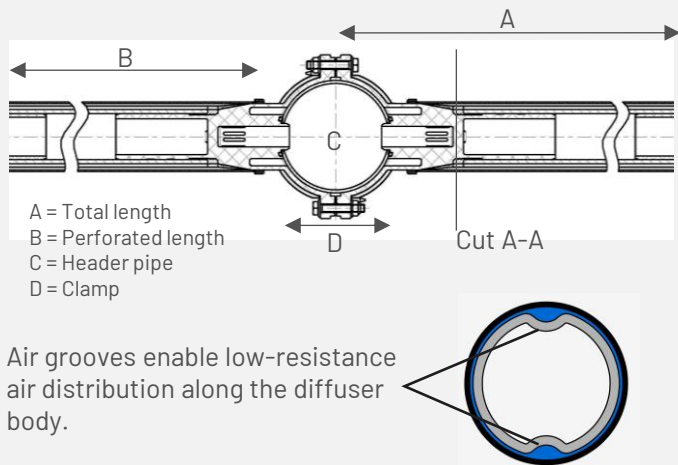
JetFlex® TD 65-2 Tube Diffuser

Dimensions

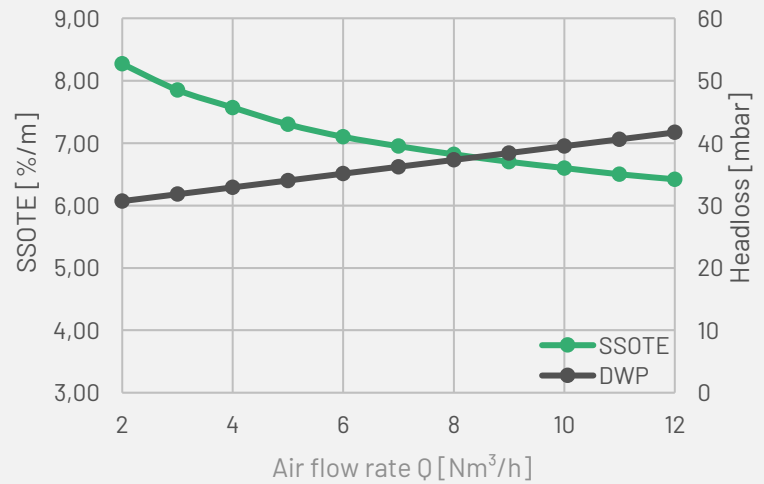
Material	Tube diameter	ID-Sleeve	Wall thickness
EPDM	63 mm	~ 65 mm	1.9± 0.15 mm
Silicone	63 mm	~ 65 mm	1.5 ± 0.15 mm
PUR	63 mm	~ 65 mm	0.6 ± 0.1 mm



Installation drawing



SSOTE and headloss for EPDM 1000 mm



Perforated length	Total length	Perforated area		Air flow rate at standard operating conditions	Air flow rate at max. overload/maintenance	Operating mode
		EPDM + PUR	SI			
1000 mm	1175 mm	0.18 m ²	0.16 m ²	2 - 12 Nm ³ /h	20 Nm ³ /h	continuous / intermittent
750 mm	925 mm	0.135 m ²	0.12 m ²	1.5 - 9 Nm ³ /h	15 Nm ³ /h	continuous / intermittent
500 mm	675 mm	0.09 m ²	0.08 m ²	1 - 6 Nm ³ /h	10 Nm ³ /h	continuous / intermittent

Dimensions for connection to round tube

Outer diameter	Material	Nominal diameter	Drilling diameter
114.3 mm	SS	100	27 +1/-0 mm
110 mm	PVC	100	27 +1/-0 mm
90 mm	PVC	80	27 +1/-0 mm

For further details, please refer to our installation and operating instructions.

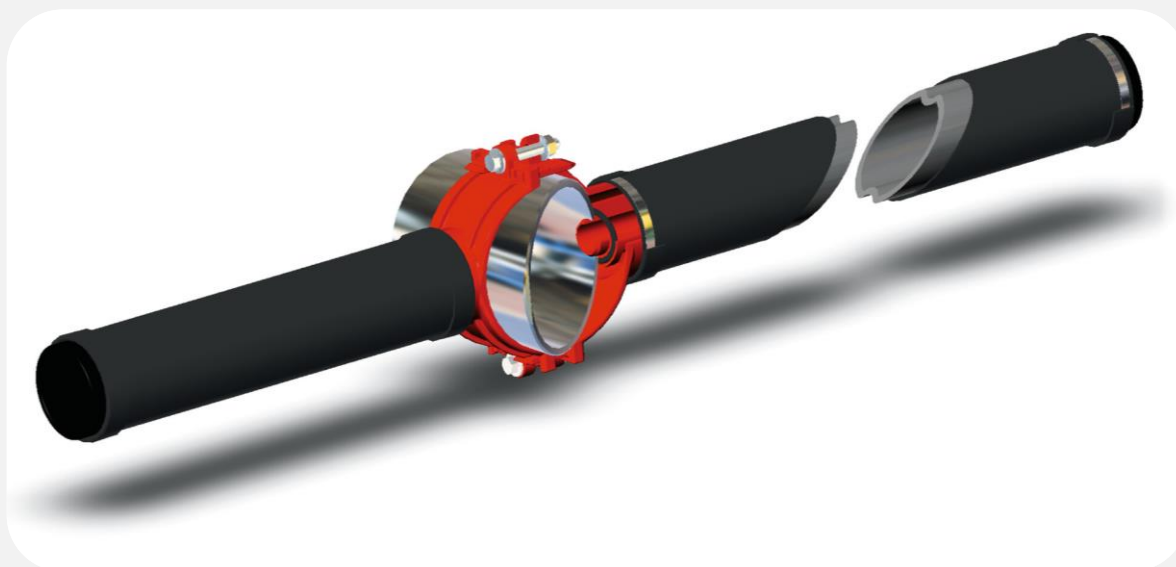
Material - Membrane

	Norm	EPDM F053A	PUR	Norm	Silicone
Color		black	transparent		translucent
Plasticiser (%)		35	0		0
Density (g/cm³)	DIN EN ISO 1183-1	1.11	1.11	DIN EN ISO 1183-1	1.16
Tensile strength (N/mm²)	DIN 53504	>8.5	>45	DIN 53504	>9
Elongation at break (%)	DIN 53504	>550	>650	DIN 53504	>900
Tear strength (N/mm)	DIN EN ISO 34-1	>10	>55	ASTM D 624 B	>38
Hardness (Shore A)	DIN ISO 7619-1	43 ± 5	80 ± 5	DIN 53505	60 ± 5
Operating temperature air (°C)		5 - 80	5 - 80		5 - 100
Operating temperature water (°C)		5 - 40	5 - 40		5 - 40

Other materials

Supporting body	Stainless steel clamp	Clamp screw connection
PP / PP 20% GF	1.4301	1.4301

Accessories



Floor bracket and end plug



Clamp adapter without thread

For further information, please refer to our accessories catalogue.



Jäger Umwelt-Technik GmbH
Lohweg 1. 30559 Hanover. Germany
+49 511 646 440

info@jaeger-envirotech.com

www.jaeger-envirotech.com

Disclaimer

We exclude any liability for the information and product presentations provided. For contents of a technical nature, these are based on the status of their publication. Existing copyrights and rights to names remain unaffected.