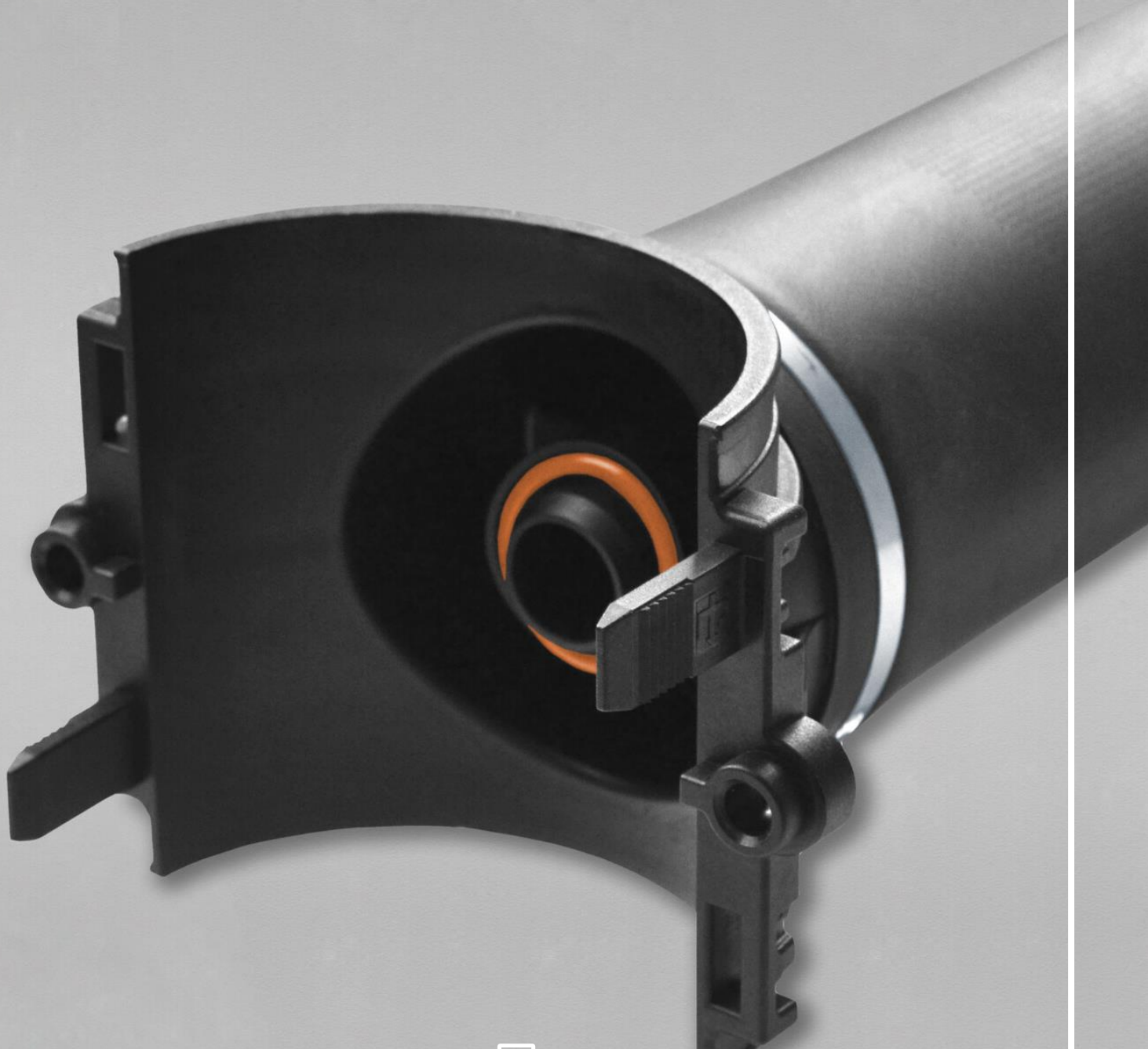




**JÄGER**  
Umwelt-Technik



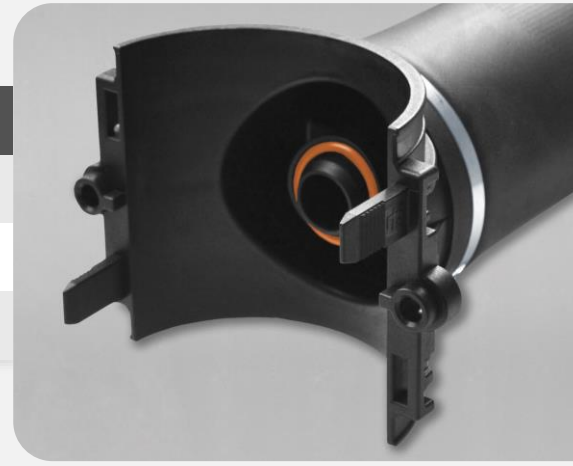
# JETFLEX<sup>®</sup> TD 90-2 TUBE DIFFUSER

Data sheet

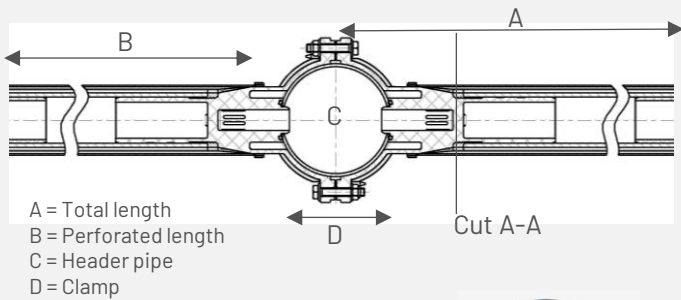
# JetFlex® TD 90-2 Tube Diffuser

## Dimensions

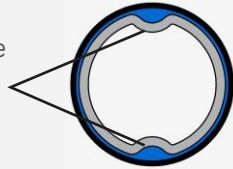
Material	Tube diameter	ID-Sleeve	Wall thickness
EPDM	87 mm	~ 90 mm	1.90 ± 0.20 mm
Silikon	87 mm	~ 90 mm	1.50 ± 0.20 mm
PUR	87 mm	~ 90 mm	0.60 ± 0.1 mm



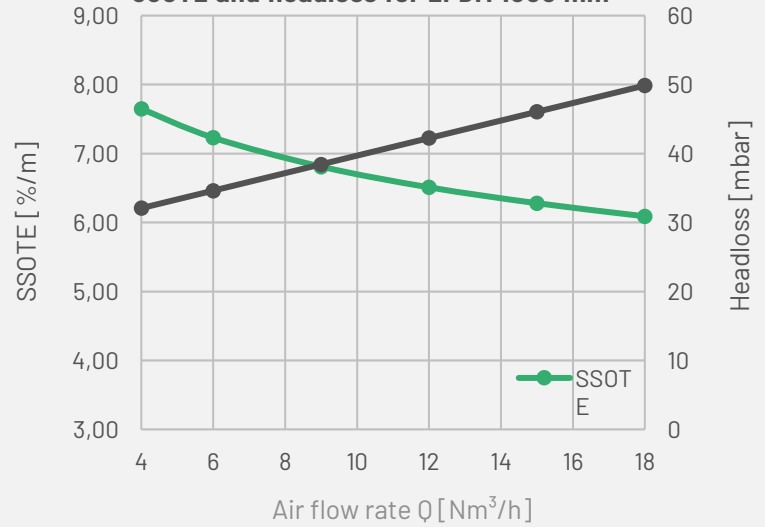
## Installation drawing



Air grooves enable low-resistance air distribution along the diffuser body.



SSOTE and headloss for EPDM 1000 mm



Perforated length	Total length	Perforated area	Air flow rate at standard operating conditions	Air flow rate at max. overload/maintenance	Operating mode
1000 mm	1195 mm	0.24 m <sup>2</sup>	4 - 18 Nm <sup>3</sup> /h	28 Nm <sup>3</sup> /h	continuous / intermittent
750 mm	945 mm	0.18 m <sup>2</sup>	3 - 14 Nm <sup>3</sup> /h	21 Nm <sup>3</sup> /h	continuous / intermittent
500 mm	695 mm	0.12 m <sup>2</sup>	2 - 9 Nm <sup>3</sup> /h	14 Nm <sup>3</sup> /h	continuous / intermittent

## Dimensions for connection to round tube

Outer diameter	Material	Nominal diameter	Drilling diameter
114.3 mm	SS	100	32 +0.5/-0 mm
110 mm	PVC	100	32 +0.5/-0 mm

For further details, please refer to our installation and operating instructions.

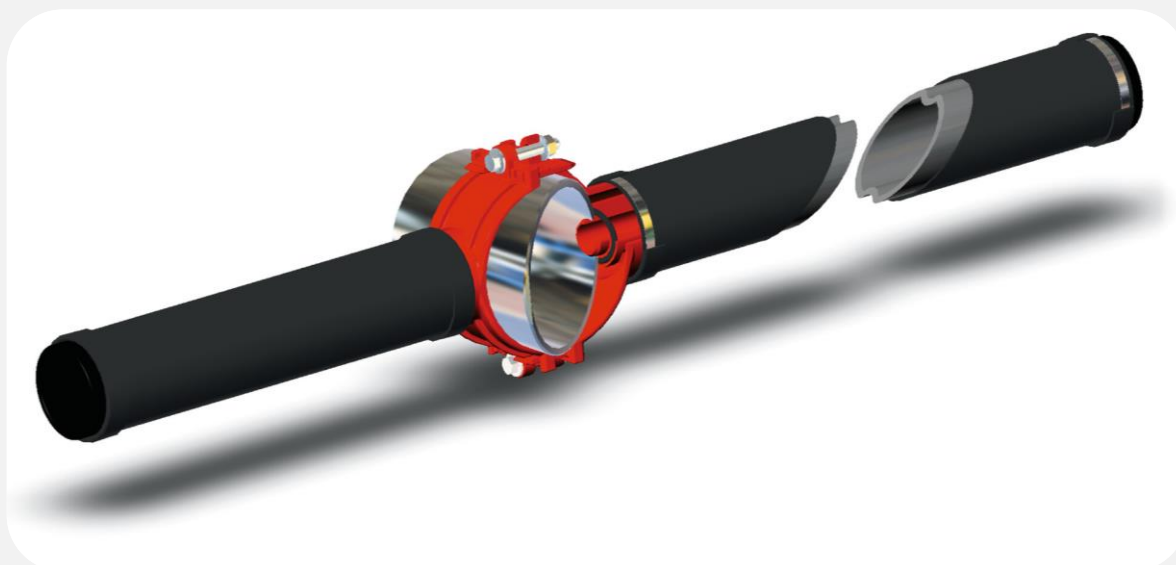
## Material - Membrane

	Norm	EPDM F053A	PUR	Norm	Silicone
<b>Color</b>		black	transparent		translucent
<b>Plasticiser (%)</b>		35	0		0
<b>Density (g/cm<sup>3</sup>)</b>	DIN EN ISO 1183-1	1.11	1.11	DIN EN ISO 1183-1	1.16
<b>Tensile strength (N/mm<sup>2</sup>)</b>	DIN 53504	>8.5	>45	DIN 53504	>9
<b>Elongation at break (%)</b>	DIN 53504	>550	>650	DIN 53504	>900
<b>Tear strength (N/mm)</b>	DIN EN ISO 34-1	>10	>55	ASTM D 624 B	>38
<b>Hardness (Shore A)</b>	DIN ISO 7619-1	43 ± 5	80 ± 5	DIN 53505	60 ± 5
<b>Operating temperature air (°C)</b>		5 - 80	5 - 80		5 - 100
<b>Operating temperature water (°C)</b>		5 - 40	5 - 40		5 - 40

## Other materials

Supporting body	Stainless steel	Clamp screw connection
PP / PP 20% GF	1.4301	1.4301

## Accessories



Floor bracket and end plug



Clamp adapter without thread

For further information, please refer to our accessories catalogue.



Jäger Umwelt-Technik GmbH  
Lohweg 1. 30559 Hanover. Germany  
+49 511 646 440

[info@jaeger-envirotech.com](mailto:info@jaeger-envirotech.com)

[www.jaeger-envirotech.com](http://www.jaeger-envirotech.com)

**Disclaimer**

We exclude any liability for the information and product presentations provided. For contents of a technical nature, these are based on the status of their publication. Existing copyrights and rights to names remain unaffected.